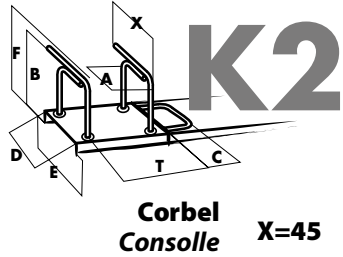
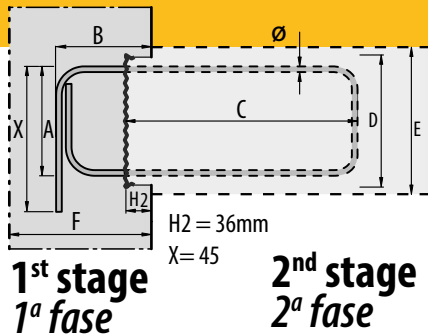


01.03.2023

Rebar connections HBT
Standard program
Armature di ripresa HBT
Programma standard



Model Modello	Steel Acciaio Ø MM	Spacing Divisione CM T	Length in CM Lunghezza in CM						Weight ML Peso ML		VRd[kN/m']	
			A	B	C	D	E	F	Sheet and reinforcement Lamiera e armatura	Reinforcement Armatura	C25/30	C30/37
K2120-10-15X	10	15	9	15	18	15	18-20	20	6.90	5.54	22.5	23.9
K2150-10-15	10	15	12	15	22	15	18-20	20	7.67	6.10	22.5	23.9
K2150-10-15X	10	15	12	15	18	15	18-20	20	7.49	5.93	22.5	23.9
K2150-10-20	10	20	12	15	18	15	18-20	20	5.56	4.00	20.4	21.7
K2150-10-20X	10	20	12	15	18	15	18-20	20	6.57	5.01	20.4	21.7
K2190-10-15Y	10	15	16	20	18	18.6	22	25	8.83	6.98	26.7	28.4
K2190-10-15Z	10	15	16	22	22	18.6	22	25	8.94	7.09	26.7	28.4
K2190-10-20	10	20	16	15	18	18.6	22	20	6.12	4.24	24.2	25.7
K2190-10-20X	10	20	16	20	22	18.6	22	25	7.92	6.06	26.7	28.4
K2190-10-20Y	10	20	16	20	18	18.6	22	25	6.41	4.53	26.7	28.4
K2190-10-20Z	10	20	16	25	18	18.6	22	30	6.71	4.83	26.7	28.4



Special designs are listed from page 110 onwards.

Le versioni speciali sono riportate a partire dalla pagina 110.

Standard boxes are delivered in lengths of 1.25 or 0.85 m.

Le piastre standard hanno una lunghezza di 1,25 o 0,85 mt.